



TX7300

Addressable Sounder and Strobe

Features and Benefits

- EN54-3:2001+A1:2002 + A2:2006 Compliance
 - Built-in MCU processor and digital addressing
 - 17 tones Programmable sound output
 - Programmable types such as Sounder-Strobe, Sounder or Strobe alone
 - Programmable Evacuate or Pre-alarm/Evacuate signal
 - Low and normal consumption mode
 - One or Two addresses mode
 - 10 Highlights LED status cluster
 - Onsite Adjustable Parameters
 - Loop or external power input
 - Aesthetically pleasing design
- Universal mounting with fix base for simple installation

Overview

The TX7300 Addressable Sounder Strobe is alarm warning device used to notify persons in the vicinity of the occurrence fire emergency in order the person to take appropriate measures. The unit adopt multi-application device starting from the types, parameters and wiring layout in single unit. The TX7300 can change into different alarm warning types such as sounder-strobe type, sounder type or strobe type using programming tool. In addition, parameters can be configured according to the requirement which include alarm tone from 17 different tones, single address or dual address mode and also setting of power mode to low current consumption in a simple programming.

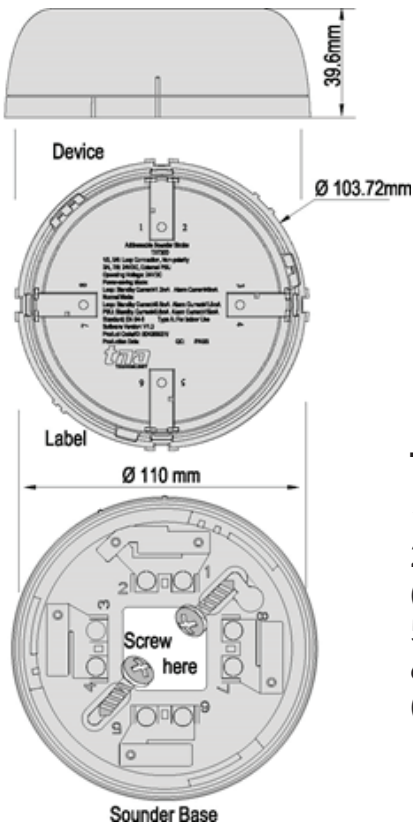
The unit manufactured base on the requirement of EN 54 part 3, European Standard. The unit is aesthetically pleasing with unobtrusive design that will complement modern building designs and its plug-in type assemblies make installation and maintenance more convenient to the installer. The unit is compatible to the TX7004 Analogue Intelligent Fire Alarm Control Panel, produced by single manufacture T&A, to avoid addressable communication compatibility problem.

Technical Specification

Listed	LPCB / CE-CPR
Compliance	EN54-3:2001+A1:2002 + A2:2006
Power Rating	
Input Voltage	Loop Power: 24VDC [18V to 27.5V]
External PSU	24 VDC [20V to 27.5V]
Typical Current	Loop: Standby 0.6mA, Alarm: 1.5mA
Loop and External PSU	Standby 0.6mA, Alarm: 15mA
Saving Current	Standby 1.2mA, Alarm: 9mA
Sounder Strobe	
Sounder level Pressure	102 dBA at 1 meter / tone 14
Tone	17 Tones (refers to Manual)

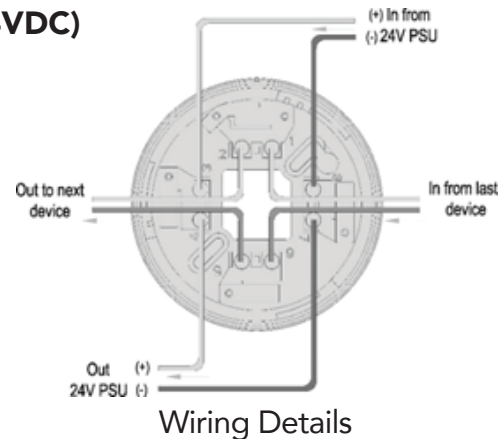
Address Sequence	Single Address: Evacuate tone
Protocol/ Addressing	T&A, Value range from 1 to 254, dual address 1st Alert / 2nd Evac
Strobe Light	10 Highlights LED
Material / Colour	ABS / RED Glossy finishing
Dimension / Height	Diameter 110 mm / 39.6 (with Base)
Weight	176g (with Base), 110g (Without Base)
Class	IP30
Operating Temperature	-10°C to +50°C
Ingress Protection Rating	IP21
Humidity	0 to 95% Relative Humidity, Non-condensing

Sounder and Wiring Details



Terminal Description (24VDC)

1. Signal In (+)
2. Signal Out (+)
3. External PSU In (+)
4. External PSU Out (+)
5. Signal In (-)
6. Signal Out (-)
7. External PSU In (-)
8. External PSU Out (-)



Terminal Description (Loop Power)

1. Signal In (+)
2. Signal Out (+)
- (Jumper (+) terminal 2 and 3)
5. Signal In (-)
6. Signal Out (-)
- (Jumper (-) terminal 6 and 7)

