



TX7100

Intelligent Addressable Optical Smoke Detector

Features and Benefits

- EN54-7:2000 +A1:2002 +A2:2006 Compliance
 - LPCB Approved
 - Using microprocessor technology with memory capacity up to 10 events
 - Analogue sending and digital addressing
 - Provide real time algorithm to the control panel
 - Smart linear drift compensation
 - Onsite adjustable parameter
 - 360-degree visual indicator
 - Removable chamber against dust and small insect
 - Ancillary remote indicator output
- Aesthetically pleasing design

Overview

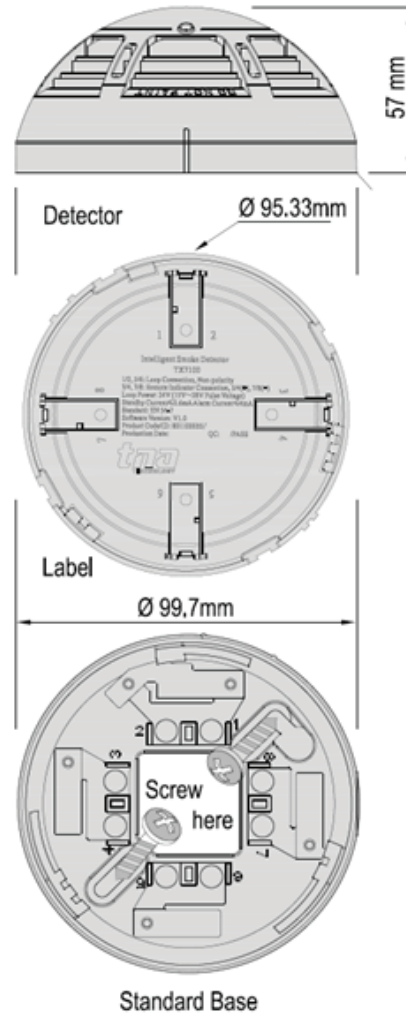
The TX7100 Intelligent Addressable Optical Smoke Detector is the ideal device for most applications, due to its spiffing linear response to a wide variety of different types of smoke patterns. The unit manufactured the sensitivity requirement of EN 54 part 7, European Standard. The unit is aesthetically pleasing with unobtrusive design that will complement modern building designs. The unit incorporates an intelligent processor that provides Algorithm map, inbuilt A/D converter, Drift compensation, and Self-Diagnosis and History log.

Secure and speedy communication through the on-board processor enables the detector to make its own decision, resulting in greater automation. In the event of fire, the integral microprocessor analyses the signal according to factors such as signal strength and rate of increase, then confirms these patterns with the pre-programmed fire scenarios and smoke patterns, for a faster and safer response. Once it is confirmed, the LED indicates the sensor status and parallel sending communication signal to the control panel. The TX7100 detector is compatible to the TX7004 Analogue Intelligent Fire Alarm Control Panel, produced by single manufacture T&A, to avoid addressable communication compatibility problem

Technical Specification

Listed	LPCB / CE-CPR
Certified	EN54-7:2000 +A1:2002 +A2:2006
Power Rating	
Input Voltage	24VDC [16V to 28V]
Current Consumption	Standby 0.6mA, Alarm: 4mA
Detector	
Protocol/ Addressing	T&A, Value range from 1 to 254
Sensitivity	As per stipulated standard
Indicator	Single LED / 360-degree Visual
Material / Colour	ABS / White Glossy finishing
Dimension / Height	Diameter 99.7 mm / 57 mm
Weight	145g (with Base), 90g (without Base)
Operating Temperature	-10°C to +50°C
Humidity	0 to 95% Relative Humidity, Non condensing

Detector and Wiring Details



Terminal Description

1. Signal In (+)
2. Signal Out (+)
3. Remote Indicator (+)
4. Remote Indicator (+)
5. Signal In (-)
6. Signal Out (-)
7. Remote Indicator (-)
8. Remote Indicator (-)

